

IXKL35

Intel® Kabylake-U Based Box PC



Features

- Intel Skylake-U/Kabylake-U, Celeron BGA processor
- Dual channel DDR4 system memory up to 32GB
- Multiple display: HDMI, DP
- 10/100/1000Mbit ethernet card
- SATA3.0, M.2 (2242 SSD for SATA definition)
- 9~24V DC input



Introduction

The IXKL35 is a small form factor embedded system. Built with the Intel® Kabylake-U platform, it supports intel celeron 3865U, i3-6100U, i3-7100U, i5-6200U and i5-7200U. This system carries two DDR4L SO-DIMM slots with a total maximum of 32GB to add higher bandwidth and lower latencies for processes. That being said, this computer features M.2 and SATA3.0, which makes it a good choice for data transportation application.

This system also features multiple display via 1×Display Port1.2 and 1×HDMI1.4. It has 2×10M/100M/1000M BASE-T gigabit LAN (Intel i211 and Intel i219), 4×USB3.0, 4×USB 2.0, 4×RS232, 2×RS485, catering to most requirements in the market. This system is designed for various application as, but not limited to, automation, network security, communication and transportation.



H/W Monitor



Watchdog



GPIO

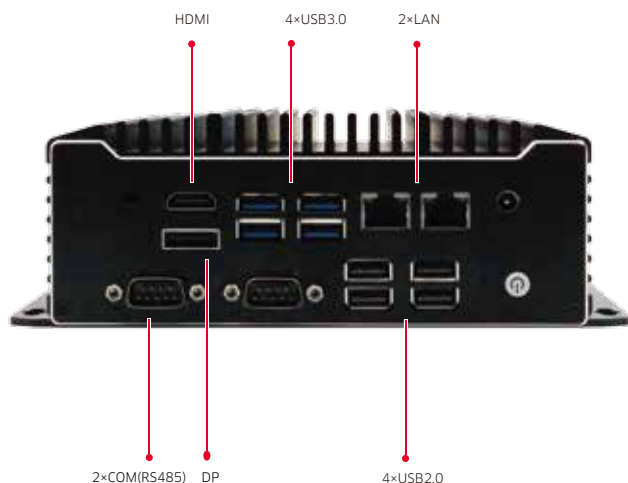


Brightness

CPU Options

Celeron 3865U	(1.80GHz, burst frequency / GHz, dual-core,TDP 15W)
i3-6100U	(2.30GHz, burst frequency / GHz, dual-core,TDP 15W)
i3-7100U	(2.40GHz, burst frequency / GHz, dual-core,TDP 15W)
i5-6200U	(2.30GHz, burst frequency 2.8GHz, dual-core,TDP 15W)
i5-7200U	(2.50GHz, burst frequency 3.10GHz, dual-core,TDP 15W)

I/O Interfaces



Front Panel

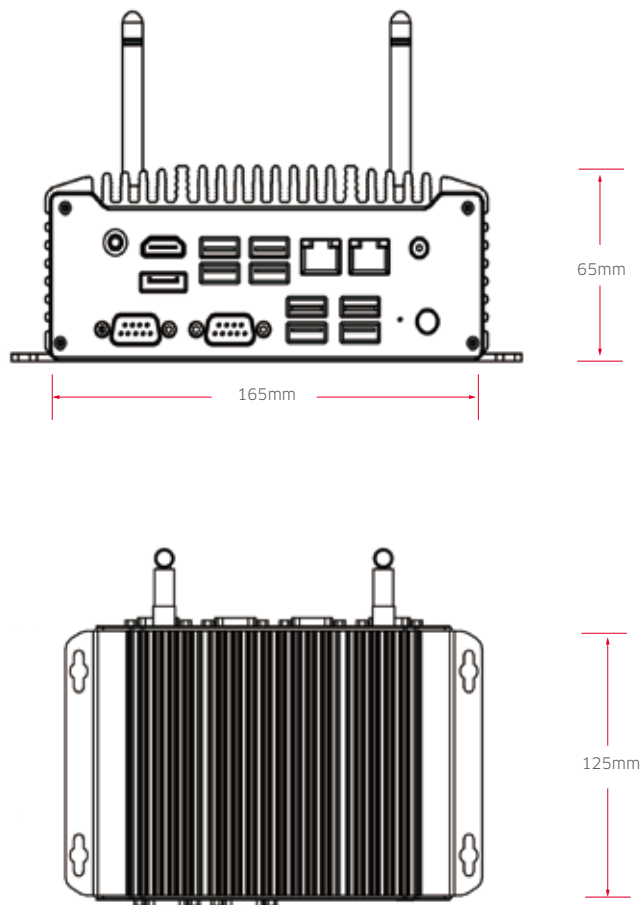


Rear Panel

Technical Specifications

Processor	CPU	3865U	i3-7100U	i3-6100U	i5-6200U	i5-7200U
	Core frequency	1.8GHz	2.4 GHz	2.3GHz	2.3GHz	2.5GHz
	Burst frequency				2.8GHz	3.1GHz
	Cache	2MB	3MB	3MB	3MB	3MB
	BIOS	AMI 8MB UEFI BIOS				
Memory	Type	Dual channel 2x DDR4-2133MHz				
	Capacity	32GB				
Display	GPU	Intel HD Graphics 610/620 (Based on CPU)				
	HDMI	1				
	DP	1				
	Multiple display	HDMI+DP				
Ethernet	Speed	10/100/1000Mbps				
	Controller	1x Intel i211/1x Intel i219				
	Interface	2x RJ45				
	Wake on LAN	Yes				
	vPro/AMT	Yes (Based on the specified CPU)				
Audio	Audio codec	Realtek HD ALC662				
	Interface	Line-out and MIC-in in one, amplifier header (speaker accessible)				
Hardware	CPU	system temperature, onboard voltage, watchdog, Auto power on				
Storage	M.2	1xM.2 for 4G or 2242 SSD (SATA definition)				
	SATA3.0	2x SATA3.0 / (only 1 if Celeron onboard)				
Expansion	M.2	1xM.2 for wifi				
	SIM	1				
Front panel I/O	COM	2xRS485				
	Lan	2				
	USB3.0	4				
	USB2.0	4				
	DP	1				
	HDMI	1				
	DC-IN	1				
Rear Panel I/O	COM	4xRS232				
Power	Standard port	1x9~24V DC-IN/4 PIN Power				
	Peripheral Input	For fan and SATA				
	LED Indicator	POWER indicator				
Dimension	Size	165mm x 125mm x 65mm				
Environment	Operating Temp.	-40°C ~60°C				
	Storage Temp.	-40°C ~80°C				
OS		Win7 64, Win10 64bit, Linux 32/64bit				

Dimensions



Ordering Information

Model	CPU	Memory	HDMI	DP	LAN	Audio	RS232	RS485	USB3.0	USB2.0	SATA3.0	M2	Power	Cooling
IX3865U-B0	Celeron 3865U	2x SO-DIMM DDR4	1	1	2	Yes	4	2	4	4	1	2	DC-IN	Passive
IX6100U-B0	i3-6100U	2x SO-DIMM DDR4	1	1	2	Yes	4	2	4	4	2	2	DC-IN	Passive
IX6200U-B0	i5-6200U	2x SO-DIMM DDR4	1	1	2	Yes	4	2	4	4	2	2	DC-IN	Passive
IX7100U-B0	i3-7100U	2x SO-DIMM DDR4	1	1	2	Yes	4	2	4	4	2	2	DC-IN	Passive
IX7200U-B0	i5-7200U	2x SO-DIMM DDR4	1	1	2	Yes	4	2	4	4	2	2	DC-IN	Passive

Customization available